
XXXX

BROCADE 360 Firmware

升级建议方案

Brocade360 微码升级方案

背景情况

XXX 所用 Brocade360 交换机当前 Firmware 版本为 7.4.1，由于此版本 Firmware 的缺陷，当交换机可用内存较低时如果再执行某些占用较多内存的操作比如 supportsave，会造成交换机内存资源枯竭，导致交换机自动重启以便恢复 Traffic 的正常工作。参见 Brocade Defect #: DEFECT000576282。

建议将微码升级到推荐的 GA 版本。

Brocade 全球支撑中心对 brocade 交换机运行的微码版本也有一个最低要求，当设备上运行的微码版本不满足最低版本要求时，如设备运行出现问题，会因微码版本低导致不能得到 Brocade 全球支持中心的及时支持。

推荐版本如下：

Brocade: 7.4.1a

升级后所带来的好处

定时微码升级可以获得以下好处：

- 1 符合 Brocade 全球支持中心的规定，交换机故障需要二线帮助时可立即得到支持
- 2 提前改正微码的缺陷及隐患，避免掉可能的风险
- 3 保证功能和性能的稳定

Firmware 升级的风险

微码升级于硬件部分没有任何风险，如果在升级时有硬件故障会造成升级失败，硬件在有冗余不会影响系统运行。只需换掉故障的硬件重复执行升级即可。

当交换机在 Firmware 升级过程中，交换机内核需要重启以便加载新的 Firmware，在此期间交换机会处于不可用状态，时间持续大约 45 秒。**由于交换机需要重启，需要主机/盘阵方面确认在单链路工作的状态下，应用能否正常工作。如无法保证应用正常工作，需安排停机升级窗口。**

Brocade 360 目前版本及目标版本

Model	Microcode Version	Upgrade Version
360	7.4.1	7.4.1a

升级过程说明

整个升级分为二个部分

- ✓ 升级前准备工作
- ✓ 升级 Brocade 交换机微码

1. 升级前准备工作

- ✓ 收集 Brocade360 的 SUPPORTSAVE 信息，确认被升级的交换机处于良好的运行状态，如有故障部件应在升级前更换完毕
- ✓ 准备升级所需必要的微码光盘、软盘等；置于现场的备件（如有必要）

2. Brocade360 微码升级的时间

整个微码升级过程大约需要约 30 分钟

1	升级前准备检查和确认	确认盘机状态正常	5 min
2	升级微码		20 min
4	升级完检查和确认		5 min

4. 升级前准备及健康检查

微码升级要在指定的时间窗口进行，执行以下的维护动作完成微码升级：

事前准备部分：

- 相关设备微码介质和配置 U 盘准备
- 设备的健康检查
- 主机双链路的运行状态确认

5. BROCADE 360 微码升级

一. 注意事项：

- 1、在微码升级之前，务必先备份好当前的配置信息；
- 2、微码升级前确认主机是两条链路都正常，一台交换机升级完成后确认主机状态是否是两条链路都正常，再升级另外一台交换机，两台交换机升级完成后确认主机链路状态是否都正

常:

- 3、微码升级最好在主机 I/O 不繁忙的时候，即主机业务不忙的时候进行；
- 4、Brocade 360 系列的交换机升级微码的时候会重启，必须确认主机链路是两路都正常，以保证微码升级过程中不会导致服务器端认不到存储硬盘的情况；

二. 使用命令行以及 FTP 模式升级

准备工作

将相应微码文件解压缩放入笔记本 ftp server 的根目录中备用。

具体升级过程

登录交换机

```
swd77 login: admin
```

```
Password:
```

检查当前 firmware 版本

```
swd77:admin> version
Kernel:      2.6.14.2
Fabric OS:   v7.4.1
Made on:     Tue Sep 20 17:45:13 2011
Flash:       Thu Jun 7 09:11:14 2012
BootProm:    1.0.15
```

备份交换机的配置信息

```
swd77:admin> configupload //backup the switch configuration
Protocol (scp or ftp) [ftp]: ftp
Server Name or IP Address [host]: 202.134.79.36 //ftp server ip-address
User Name [user]: admin //ftp server user name
File Name [config.txt]: config.txt // specify configuration
file name
Password: //ftp server user password
Upload complete
```

开始下载并升级 firmware

```
swd77:admin> firmwaredownload //download new version firmware
You can run firmwareDownloadStatus to get the status
of this command.

This command will cause the switch to reset and will
require that existing telnet, secure telnet or SSH
```

```
sessions be restarted.
Do you want to continue [Y]: y
Server Name or IP Address: 202.134.79.36 //ftp server ip-address
User Name: admin //ftp server user name
File Name: /v7.4.1b/release.plist // file "release.plist"
location
Password: //ftp server user password
Firmware download has started.
Start to install packages.....
dir #####
ldconfig #####
glibc #####
bash #####
readline #####
terminfo #####
termcap #####
setup #####
swbd12-setup #####
which #####
findutils #####
bzip #####
zlib #####
chkconfig #####
fileutils #####
sed #####
textutils #####
procps #####
psmisc #####

modutils #####
sin #####
rcinit #####
misc #####
pam #####
util-linux #####
sh-utils #####
popt #####
grep #####
rpm #####
sysvinit #####
man #####
less #####
gzip #####
tar #####
```

```
rsync #####
cpio #####
dev #####
swbd23-bootenv #####
wtd #####
wget #####
fwdl #####
swbd23-prom #####
Please avoid powering off the system during prom update.
kernel #####
swbd21-drivers #####
pcmcia-cs #####
sysklogd #####
getty #####
net-tools #####
vixie-cron #####
uucp #####
bcm #####
binutils-libs #####
binutils #####
ksymoops #####
portmap #####
inetd #####
iptables #####
tcpd #####
telnet-server #####
rsh-server #####
rsh #####
openssl-libs #####

openssh #####
openssh-server #####
rusers-server #####
rdate #####
logrotate #####
ntp #####
pciutils #####
strace #####
ftp #####
ncftp #####
sendmail #####
iproute2 #####
libxml2 #####
fabos-fss #####
```

```
fabos-setup #####
fabos-drivers #####
fabos-libs #####
fabos-diag #####
fabos-man #####
fabos #####
fabos-zoning #####
fabos-fw #####
fabos-hmon #####
fabos-wnnhs #####
fabos-swbd32 #####
mmllib #####
apache #####
fastcgi #####
fabos-webtools #####
tz #####
mtracer-tool #####
lkcd #####
sysstat #####
Write kernel image into flash.
.....
Verification SUCCEEDED
Removing unneeded files, please wait ...
Finished removing unneeded files.

All packages have been downloaded successfully.
Firmware download has completed successfully.
HA Rebooting ... // waiting for upgrade another
controller
Fabric OS (swd77)

swd77 login: admin
Password:
```

4.3 检查升级后的版本状态

```
BJBMSODSPROSWA01:admin> firmwaredownloadstatus
[1]: Tue Nov 3 11:25:58 2015
Firmware is being downloaded to the switch. This step may take up to 30 minutes.
```

```
[2]: Tue Nov 3 11:30:37 2015
Firmware has been downloaded to the secondary partition of the switch.

[3]: Tue Nov 3 13:42:39 2015
The firmware commit operation has started. This may take up to 10 minutes.

[4]: Tue Nov 3 13:46:41 2015
The commit operation has completed successfully.

[5]: Tue Nov 3 13:46:41 2015
Firmwaredownload command has completed successfully. Use firmwaredownload to verify the
firmware versions.
```

```
BJBMSODSPROSWA01:admin> firmwaredownload
Appl      Primary/Secondary Versions
-----
FOS       v7.4.1a
          v7.4.1a
```

完成升级。

Huawei&Brocade 交换机级联 测试报告

二零一八年七月

目 录

一、测试环境.....	3
二、交换机设备信息.....	4
2.1 设备微码版本.....	4
2.2 设备级联许可.....	4
2.3 FC 交换机 Domain ID 信息.....	5
2.4 交换机配置信息.....	5
三、级联.....	14
四、测试结果.....	24

一、测试环境

2 台 Huawei SNS2248 交换机、从亦庄搬迁到廊坊的 10 台 SAN 交换机(8 台 brocade 300 , 2 台 brocade 6510) ; 分别将 5 台 brocade 交换机级联到 2 台 huawei 交换机上。

Huawei SNS2248 48口 16G光纤交换机2台

1.端口 : 48口

2.速率 : 16G

Brocade6510 48口 16G光纤交换机2台 :

1.端口 : 48口

2.速率 : 16G

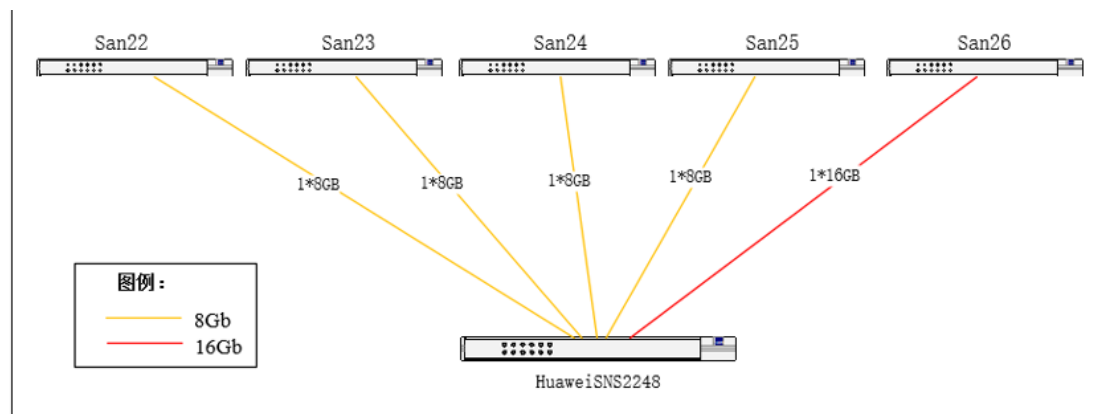
brocade360 24口 8G光纤交换机8台 :

1.端口 : 24口

2.速率 : 8G

注:本次测试为 6 台设备级联 (1 台 HuaweiSNS2248、1 台 BR6510、4 台 BR300)。

测试拓扑如下 :



二、交换机设备信息

2.1 设备微码版本

Brocade300 微码版本 其中 1 台 BR300 为 v7.1.0c、其余 3 台 BR300 为 v7.4.1

Brocade6510 微码版本 : v7.4.1b (1 台)

HuaweiSNS2248 微码版本 : v7.4.0a (1 台)

2.2 设备级联许可

Brocade300 带级联许可:

```
san12:admin> licenseshow
```

```
aSQWWKLX7DfKLSSEMTaXCWJffLQDJHArB7GJF:
```

```
Fabric license
```

```
MNSPWKHBWEQZYFaECTDZNKZFM3DtgHQBJ7gF:
```

```
Full Ports on Demand license - additional 16 port upgrade license
```

```
N9gJHABG7r9arL7GEKX4ZKBZrRJ34WTGBJW9F:
```

```
8 Gig FC license
```

HuaweiSNS2248 & Brocade6510 自带级联许可。

2.3 FC 交换机 Domain ID 信息

(Huawei) SNS2248 交换机的 domain id : 20

(BR300) San22 交换机的 domain id:22

(BR300) San23 交换机的 domain id:23

(BR300) San24 交换机的 domain id:24

(BR300) San25 交换机的 domain id:25

(BR6510) San26 交换机的 domain id:26

2.4 交换机配置信息

清空所有 Brocade 交换机现有的配置 ,保留 HuaweiSNS2248 的生效配置。

```
SNS2248:FID128:admin>
```

```
SNS2248:FID128:admin> cfgshow
```

```
Defined configuration:
```

```
cfg:  cfg9      cml9; cml9_9p0; cml9_9p1; cml9_9p43; cml9_9p2; cml9_9p3;
        cml9_9p4; cml9_9p5; cml9_9p6; cml9_9p7; cml9_9p8; cml9_9p9;
        cml9_9p10; cml9_9p11; cml9_9p12; cml9_9p13; cml9_9p14;
        cml9_9p15; cml9_9p16; cml9_9p17; cml9_9p18; cml9_9p19;
        cml9_9p20; cml9_9p21; cml9_9p22; cml9_9p23; cml9_9p24;
        cml9_9p25; cml9_9p26; cml9_9p27; cml9_9p28; cml9_9p29;
        cml9_9p30; cml9_9p31; cml9_9p32; cml9_9p33; cml9_9p34;
        cml9_9p35; cml9_9p36; cml9_9p37; cml9_9p38; cml9_9p39;
        cml9_9p42; test
```

```
zone:  cml9      9,44; 9,45; 9,46; 9,47
```

```
zone:  cml9_9p0
        9,0; 9,44; 9,45; 9,46; 9,47
```

```
zone:  cml9_9p1
        9,1; 9,44; 9,45; 9,46; 9,47
```

```
zone:  cml9_9p10
        9,10; 9,44; 9,45; 9,46; 9,47
```

```
zone:  cml9_9p11
        9,11; 9,44; 9,45; 9,46; 9,47
```

```
zone:  cml9_9p12
        9,12; 9,44; 9,45; 9,46; 9,47
```

```
zone:  cml9_9p13
```

9,13; 9,44; 9,45; 9,46; 9,47
zone: cml9_9p14
9,14; 9,44; 9,45; 9,46; 9,47
zone: cml9_9p15
9,15; 9,44; 9,45; 9,46; 9,47
zone: cml9_9p16
9,16; 9,44; 9,45; 9,46; 9,47
zone: cml9_9p17
9,17; 9,44; 9,45; 9,46; 9,47
zone: cml9_9p18
9,18; 9,44; 9,45; 9,46; 9,47
zone: cml9_9p19
9,19; 9,44; 9,45; 9,46; 9,47
zone: cml9_9p2
9,2; 9,44; 9,45; 9,46; 9,47
zone: cml9_9p20
9,20; 9,44; 9,45; 9,46; 9,47
zone: cml9_9p21
9,21; 9,44; 9,45; 9,46; 9,47
zone: cml9_9p22
9,22; 9,44; 9,45; 9,46; 9,47
zone: cml9_9p23
9,23; 9,44; 9,45; 9,46; 9,47
zone: cml9_9p24
9,24; 9,44; 9,45; 9,46; 9,47
zone: cml9_9p25
9,25; 9,44; 9,45; 9,46; 9,47
zone: cml9_9p26
9,26; 9,44; 9,45; 9,46; 9,47
zone: cml9_9p27
9,27; 9,44; 9,45; 9,46; 9,47
zone: cml9_9p28
9,28; 9,44; 9,45; 9,46; 9,47
zone: cml9_9p29
9,29; 9,44; 9,45; 9,46; 9,47
zone: cml9_9p3
9,3; 9,44; 9,45; 9,46; 9,47
zone: cml9_9p30
9,30; 9,44; 9,45; 9,46; 9,47
zone: cml9_9p31
9,31; 9,44; 9,45; 9,46; 9,47
zone: cml9_9p32
9,32; 9,44; 9,45; 9,46; 9,47
zone: cml9_9p33

9,33; 9,44; 9,45; 9,46; 9,47
zone: cml9_9p34
9,34; 9,44; 9,45; 9,46; 9,47
zone: cml9_9p35
9,35; 9,44; 9,45; 9,46; 9,47
zone: cml9_9p36
9,36; 9,44; 9,45; 9,46; 9,47
zone: cml9_9p37
9,37; 9,44; 9,45; 9,46; 9,47
zone: cml9_9p38
9,38; 9,44; 9,45; 9,46; 9,47
zone: cml9_9p39
9,39; 9,44; 9,45; 9,46; 9,47
zone: cml9_9p4
9,4; 9,44; 9,45; 9,46; 9,47
zone: cml9_9p42
9,42; 9,44; 9,45; 9,46; 9,47
zone: cml9_9p43
9,43; 9,44; 9,45; 9,46; 9,47
zone: cml9_9p5
9,5; 9,44; 9,45; 9,46; 9,47
zone: cml9_9p6
9,6; 9,44; 9,45; 9,46; 9,47
zone: cml9_9p7
9,7; 9,44; 9,45; 9,46; 9,47
zone: cml9_9p8
9,8; 9,44; 9,45; 9,46; 9,47
zone: cml9_9p9
9,9; 9,44; 9,45; 9,46; 9,47
zone: test 20,33; 9,44; 9,45; 9,46; 9,47

Effective configuration:

cfg: cfg9
zone: cml9 9,44
9,45
9,46
9,47
zone: cml9_9p0
9,0
9,44
9,45
9,46
9,47
zone: cml9_9p1

9,1

9,44

9,45

9,46

9,47

zone: cml9_9p10

9,10

9,44

9,45

9,46

9,47

zone: cml9_9p11

9,11

9,44

9,45

9,46

9,47

zone: cml9_9p12

9,12

9,44

9,45

9,46

9,47

zone: cml9_9p13

9,13

9,44

9,45

9,46

9,47

zone: cml9_9p14

9,14

9,44

9,45

9,46

9,47

zone: cml9_9p15

9,15

9,44

9,45

9,46

9,47

zone: cml9_9p16

9,16

9,44

9,45
9,46
9,47
zone: cml9_9p17
9,17
9,44
9,45
9,46
9,47
zone: cml9_9p18
9,18
9,44
9,45
9,46
9,47
zone: cml9_9p19
9,19
9,44
9,45
9,46
9,47
zone: cml9_9p2
9,2
9,44
9,45
9,46
9,47
zone: cml9_9p20
9,20
9,44
9,45
9,46
9,47
zone: cml9_9p21
9,21
9,44
9,45
9,46
9,47
zone: cml9_9p22
9,22
9,44
9,45
9,46

9,47
zone: cml9_9p23

9,23
9,44
9,45
9,46
9,47

zone: cml9_9p24

9,24
9,44
9,45
9,46
9,47

zone: cml9_9p25

9,25
9,44
9,45
9,46
9,47

zone: cml9_9p26

9,26
9,44
9,45
9,46
9,47

zone: cml9_9p27

9,27
9,44
9,45
9,46
9,47

zone: cml9_9p28

9,28
9,44
9,45
9,46
9,47

zone: cml9_9p29

9,29
9,44
9,45
9,46
9,47

zone: cml9_9p3

9,3

9,44

9,45

9,46

9,47

zone: cml9_9p30

9,30

9,44

9,45

9,46

9,47

zone: cml9_9p31

9,31

9,44

9,45

9,46

9,47

zone: cml9_9p32

9,32

9,44

9,45

9,46

9,47

zone: cml9_9p33

9,33

9,44

9,45

9,46

9,47

zone: cml9_9p34

9,34

9,44

9,45

9,46

9,47

zone: cml9_9p35

9,35

9,44

9,45

9,46

9,47

zone: cml9_9p36

9,36

9,44

9,45
9,46
9,47
zone: cml9_9p37
9,37
9,44
9,45
9,46
9,47
zone: cml9_9p38
9,38
9,44
9,45
9,46
9,47
zone: cml9_9p39
9,39
9,44
9,45
9,46
9,47
zone: cml9_9p4
9,4
9,44
9,45
9,46
9,47
zone: cml9_9p42
9,42
9,44
9,45
9,46
9,47
zone: cml9_9p43
9,43
9,44
9,45
9,46
9,47
zone: cml9_9p5
9,5
9,44
9,45
9,46

9,47
zone: cml9_9p6
9,6
9,44
9,45
9,46
9,47
zone: cml9_9p7
9,7
9,44
9,45
9,46
9,47
zone: cml9_9p8
9,8
9,44
9,45
9,46
9,47
zone: cml9_9p9
9,9
9,44
9,45
9,46
9,47
zone: test 20,33
9,44
9,45
9,46
9,47

三、级联

5 台 Brocade 交换机分别与 1 台 huaweiSNS2248 用一对尾纤连接，然后查看交换机级联端口、配置、日志。

3.1 在华为交换机用 fabricshow 查看

```
SNS2248:FID128:admin>
SNS2248:FID128:admin> fabricshow
Switch ID      Worldwide Name          Enet IP Addr    FC IP Addr      Name
-----
20: fffc14 10:00:c4:f5:7c:a4:e2:98 10.77.77.77     0.0.0.0         "SNS2248"
22: fffc16 10:00:00:27:f8:d7:03:50 10.77.77.77     0.0.0.0         >"san22"
23: fffc17 10:00:50:eb:1a:06:6a:97 10.77.77.77     0.0.0.0         "san23"
24: fffc18 10:00:c4:f5:7c:2e:81:f0 10.77.77.77     0.0.0.0         "san24"
25: fffc19 10:00:50:eb:1a:06:61:c8 10.77.77.77     0.0.0.0         "san25"
26: fffc1a 10:00:c4:f5:7c:d4:67:3d 10.77.77.77     0.0.0.0         "san26"

The Fabric has 6 switches

SNS2248:FID128:admin>
```

3.2 插上级联线缆之后，观察华为交换机级联端口变更为 E-port。

```
SNS2248:FID128:admin>
SNS2248:FID128:admin> switchshow
switchName:      SNS2248
switchType:      109.1
switchState:     Online
switchMode:      Native
switchRole:      Subordinate
switchDomain:    20
switchId:        fffc14
switchWwn:       10:00:c4:f5:7c:a4:e2:98
zoning:          ON (cfg9)
switchBeacon:    OFF
FC Router:       OFF
Allow XISL Use:  OFF
LS Attributes:   [FID: 128, Base Switch: No, Default Switch: Yes, Address Mode 0]

Index Port Address Media Speed      State  Proto
-----
0  0  140000 id    N8      Online FC E-Port 10:00:50:eb:1a:06:61:c8 "san25" (downstream)
1  1  140100 id    N8      Online FC E-Port 10:00:c4:f5:7c:2e:81:f0 "san24" (downstream)
2  2  140200 id    N8      Online FC E-Port 10:00:50:eb:1a:06:6a:97 "san23" (downstream)
3  3  140300 id    N8      Online FC E-Port 10:00:00:27:f8:d7:03:50 "san22" (upstream)
4  4  140400 id   N16     Online FC E-Port 10:00:c4:f5:7c:d4:67:3d "san26" (downstream)
5  5  140500 id   N16     No_Light FC
6  6  140600 id   N16     No Light FC
```

3.3 查看日志信息，无异常。

```
SNS2248:FID128:admin> date
```

```
Mon Jul  2 21:44:23 UTC 2018
```

```
SNS2248:FID128:admin>
```

```
SNS2248:FID128:admin> errdump
```

```
2018/07/02-12:42:17, [BL-1000], 209, CHASSIS, INFO, SNS2248, Initializing ports...
```

```
2018/07/02-12:42:17, [BL-1001], 210, CHASSIS, INFO, SNS2248, Port initialization completed.
```

```
2018/07/02-21:07:32, [SEC-1193], 211, FID 128, INFO, SNS2248, Security violation: Login failure attempt via TELNET/SSH/RSH. IP Addr: 10.77.77.100.
```

```
2018/07/02-21:08:43, [SEC-1203], 212, FID 128, INFO, SNS2248, Login information: Login successful via TELNET/SSH/RSH. IP Addr: 10.77.77.100
```

```
2018/07/02-21:43:23, [SEC-1193], 213, FID 128, INFO, SNS2248, Security violation: Login failure attempt via TELNET/SSH/RSH. IP Addr: 10.77.77.100.
```

```
2018/07/02-21:44:01, [SEC-1203], 214, FID 128, INFO, SNS2248, Login information: Login successful via TELNET/SSH/RSH. IP Addr: 10.77.77.100
```

3.4 查看 Brocade 交换机配置已同步

```
san26:admin> cfgshow
```

```
Defined configuration:
```

```
cfg:  cfg9    cml9; cml9_9p0; cml9_9p1; cml9_9p43; cml9_9p2; cml9_9p3;
      cml9_9p4; cml9_9p5; cml9_9p6; cml9_9p7; cml9_9p8; cml9_9p9;
      cml9_9p10; cml9_9p11; cml9_9p12; cml9_9p13; cml9_9p14;
      cml9_9p15; cml9_9p16; cml9_9p17; cml9_9p18; cml9_9p19;
      cml9_9p20; cml9_9p21; cml9_9p22; cml9_9p23; cml9_9p24;
      cml9_9p25; cml9_9p26; cml9_9p27; cml9_9p28; cml9_9p29;
      cml9_9p30; cml9_9p31; cml9_9p32; cml9_9p33; cml9_9p34;
      cml9_9p35; cml9_9p36; cml9_9p37; cml9_9p38; cml9_9p39;
      cml9_9p42; test
```

```
zone:  cml9    9,44; 9,45; 9,46; 9,47
```

```
zone:  cml9_9p0
```

```
      9,0; 9,44; 9,45; 9,46; 9,47
```

```
zone:  cml9_9p1
```

```
      9,1; 9,44; 9,45; 9,46; 9,47
```

```
zone:  cml9_9p10
```

9,10; 9,44; 9,45; 9,46; 9,47
zone: cml9_9p11
9,11; 9,44; 9,45; 9,46; 9,47
zone: cml9_9p12
9,12; 9,44; 9,45; 9,46; 9,47
zone: cml9_9p13
9,13; 9,44; 9,45; 9,46; 9,47
zone: cml9_9p14
9,14; 9,44; 9,45; 9,46; 9,47
zone: cml9_9p15
9,15; 9,44; 9,45; 9,46; 9,47
zone: cml9_9p16
9,16; 9,44; 9,45; 9,46; 9,47
zone: cml9_9p17
9,17; 9,44; 9,45; 9,46; 9,47
zone: cml9_9p18
9,18; 9,44; 9,45; 9,46; 9,47
zone: cml9_9p19
9,19; 9,44; 9,45; 9,46; 9,47
zone: cml9_9p2
9,2; 9,44; 9,45; 9,46; 9,47
zone: cml9_9p20
9,20; 9,44; 9,45; 9,46; 9,47
zone: cml9_9p21
9,21; 9,44; 9,45; 9,46; 9,47
zone: cml9_9p22
9,22; 9,44; 9,45; 9,46; 9,47
zone: cml9_9p23
9,23; 9,44; 9,45; 9,46; 9,47
zone: cml9_9p24
9,24; 9,44; 9,45; 9,46; 9,47
zone: cml9_9p25
9,25; 9,44; 9,45; 9,46; 9,47
zone: cml9_9p26
9,26; 9,44; 9,45; 9,46; 9,47
zone: cml9_9p27
9,27; 9,44; 9,45; 9,46; 9,47
zone: cml9_9p28
9,28; 9,44; 9,45; 9,46; 9,47
zone: cml9_9p29
9,29; 9,44; 9,45; 9,46; 9,47
zone: cml9_9p3
9,3; 9,44; 9,45; 9,46; 9,47
zone: cml9_9p30

9,30; 9,44; 9,45; 9,46; 9,47
zone: cml9_9p31
9,31; 9,44; 9,45; 9,46; 9,47
zone: cml9_9p32
9,32; 9,44; 9,45; 9,46; 9,47
zone: cml9_9p33
9,33; 9,44; 9,45; 9,46; 9,47
zone: cml9_9p34
9,34; 9,44; 9,45; 9,46; 9,47
zone: cml9_9p35
9,35; 9,44; 9,45; 9,46; 9,47
zone: cml9_9p36
9,36; 9,44; 9,45; 9,46; 9,47
zone: cml9_9p37
9,37; 9,44; 9,45; 9,46; 9,47
zone: cml9_9p38
9,38; 9,44; 9,45; 9,46; 9,47
zone: cml9_9p39
9,39; 9,44; 9,45; 9,46; 9,47
zone: cml9_9p4
9,4; 9,44; 9,45; 9,46; 9,47
zone: cml9_9p42
9,42; 9,44; 9,45; 9,46; 9,47
zone: cml9_9p43
9,43; 9,44; 9,45; 9,46; 9,47
zone: cml9_9p5
9,5; 9,44; 9,45; 9,46; 9,47
zone: cml9_9p6
9,6; 9,44; 9,45; 9,46; 9,47
zone: cml9_9p7
9,7; 9,44; 9,45; 9,46; 9,47
zone: cml9_9p8
9,8; 9,44; 9,45; 9,46; 9,47
zone: cml9_9p9
9,9; 9,44; 9,45; 9,46; 9,47
zone: test 20,33; 9,44; 9,45; 9,46; 9,47

Effective configuration:

cfg: cfg9
zone: cml9 9,44
9,45
9,46
9,47
zone: cml9_9p0

9,0

9,44

9,45

9,46

9,47

zone: cml9_9p1

9,1

9,44

9,45

9,46

9,47

zone: cml9_9p10

9,10

9,44

9,45

9,46

9,47

zone: cml9_9p11

9,11

9,44

9,45

9,46

9,47

zone: cml9_9p12

9,12

9,44

9,45

9,46

9,47

zone: cml9_9p13

9,13

9,44

9,45

9,46

9,47

zone: cml9_9p14

9,14

9,44

9,45

9,46

9,47

zone: cml9_9p15

9,15

9,44

9,45
9,46
9,47
zone: cml9_9p16
9,16
9,44
9,45
9,46
9,47
zone: cml9_9p17
9,17
9,44
9,45
9,46
9,47
zone: cml9_9p18
9,18
9,44
9,45
9,46
9,47
zone: cml9_9p19
9,19
9,44
9,45
9,46
9,47
zone: cml9_9p2
9,2
9,44
9,45
9,46
9,47
zone: cml9_9p20
9,20
9,44
9,45
9,46
9,47
zone: cml9_9p21
9,21
9,44
9,45
9,46

9,47
zone: cml9_9p22
9,22
9,44
9,45
9,46
9,47
zone: cml9_9p23
9,23
9,44
9,45
9,46
9,47
zone: cml9_9p24
9,24
9,44
9,45
9,46
9,47
zone: cml9_9p25
9,25
9,44
9,45
9,46
9,47
zone: cml9_9p26
9,26
9,44
9,45
9,46
9,47
zone: cml9_9p27
9,27
9,44
9,45
9,46
9,47
zone: cml9_9p28
9,28
9,44
9,45
9,46
9,47
zone: cml9_9p29

9,29

9,44

9,45

9,46

9,47

zone: cml9_9p3

9,3

9,44

9,45

9,46

9,47

zone: cml9_9p30

9,30

9,44

9,45

9,46

9,47

zone: cml9_9p31

9,31

9,44

9,45

9,46

9,47

zone: cml9_9p32

9,32

9,44

9,45

9,46

9,47

zone: cml9_9p33

9,33

9,44

9,45

9,46

9,47

zone: cml9_9p34

9,34

9,44

9,45

9,46

9,47

zone: cml9_9p35

9,35

9,44

9,45

9,46

9,47

zone: cml9_9p36

9,36

9,44

9,45

9,46

9,47

zone: cml9_9p37

9,37

9,44

9,45

9,46

9,47

zone: cml9_9p38

9,38

9,44

9,45

9,46

9,47

zone: cml9_9p39

9,39

9,44

9,45

9,46

9,47

zone: cml9_9p4

9,4

9,44

9,45

9,46

9,47

zone: cml9_9p42

9,42

9,44

9,45

9,46

9,47

zone: cml9_9p43

9,43

9,44

9,45

9,46

9,47
zone: cml9_9p5
9,5
9,44
9,45
9,46
9,47
zone: cml9_9p6
9,6
9,44
9,45
9,46
9,47
zone: cml9_9p7
9,7
9,44
9,45
9,46
9,47
zone: cml9_9p8
9,8
9,44
9,45
9,46
9,47
zone: cml9_9p9
9,9
9,44
9,45
9,46
9,47
zone: test 20,33
9,44
9,45
9,46
9,47

四、测试结果

- 1、查看所有交换机级联端口类型为 E-port。
- 2、所有交换机配置同步，无异常。
- 3、查看日志无异常报错信息。

测试人员：Lester

2018年7月